

Motorized Butterfly Valve Wafer

Fig. 3230+EQD**

Standard

Face to face Standard: ISO 5752/BS 5155/
 BS EN 593/MSS SP-67/API 609
 GB/T 12238
 Connection: EN1092-2 PN16
 ISO 7005 / ANSI B16.5
 GB/T 17241
 Top Flange: ISO5211

Technical data

Nominal pressure: 16bar
 Size: DN50~DN600
 Testing pressure: Shell: 24bar
 Working ΔP: 7bar
 Temperature: -20°C ~ 110°C EPDM Seat
 -10°C ~ 80°C NBR Seat

Specification

Part	Material	Standard
Body	Ductile Iron	EN-JS 1050
Shaft	Stainless Steel	BS970 410 S 21
	Stainless Steel	BS970 431 S 29
Seat	EPDM/NBR	
	Viton/PTFE	
Y-seal ring	EPDM / NBR	
Bushing	PTFE/Brone/PAP	
Disc	Ductile Iron	EN-JS 1050
	Bronze	EN 1982 CC491K
	Stainless Steel	BS970 304 S15
	Stainless Steel	BS970 316 S16
Coated	Epoxy, Nylon	
	Nickle plating、Halar	

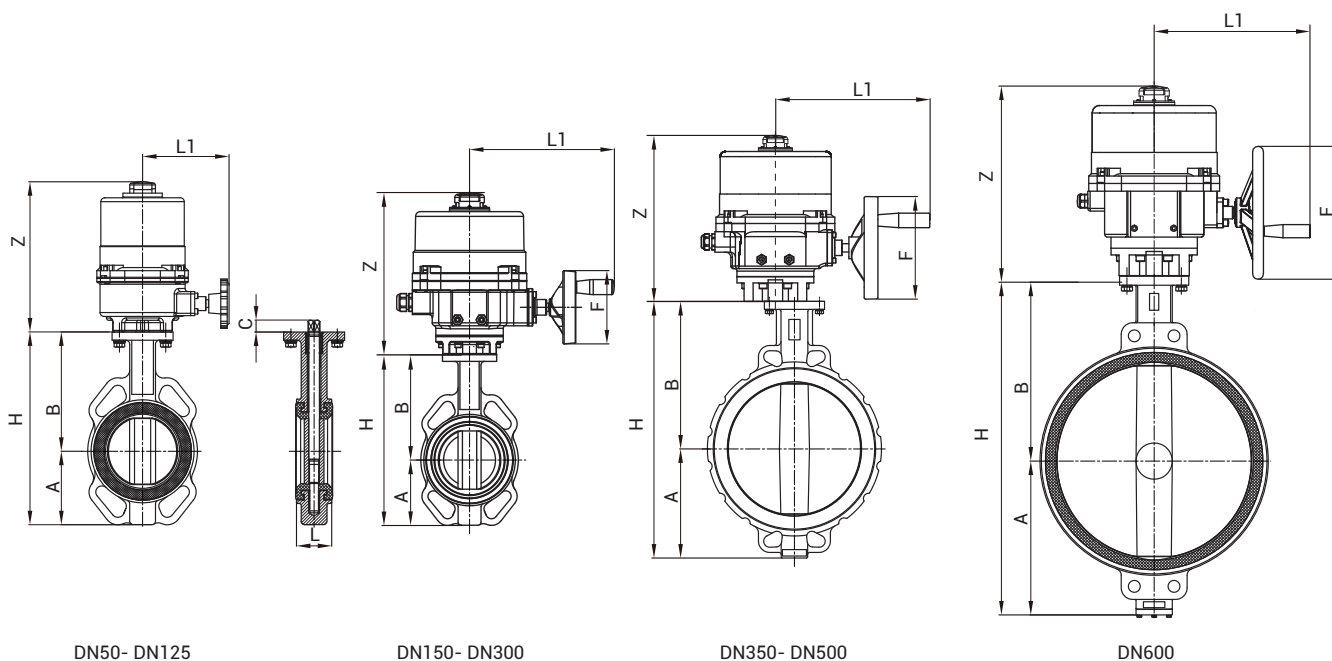
Schema



Features

- Valve bidirectional complete seal - airtight class.
- Valve plate finishing spherical sealing surface, small torque, long service life.
- Three self-lubricating bushings on the valve shaft prevent the valve shaft from skewing.
- Four flange positioning holes ensure the valve position is correct during installation
- Stable quality, long service life.
- Improved product performance, making it more suitable for control systems.
- Valve passed sulfur dioxide corrosion test and salt spray detection.
- The valve operating torque is low, effectively reducing the cost of actuator selection.
- maintenance-free
- In special industries, non-silicon processing valves can be selected

Dimensions



DN	mm	50	65	80	100	125	150	200	250	300	350	400	450	500	600
	inch	2	2-1/2	3	4	5	6	8	10	12	14	16	18	20	24
Actuator		EQD01					EQD03		EQD04	EQD05	EQD07	EQD08	EQD09	EQD10	EQD11
A		64	71	94	108	119	136	165	202	235	272	333	364	389	453
B		141	153	158	176	191	203	244	273	311	350	382	410	448	510
L		43	46	46	52	56	56	60	68	78	78	102	114	127	154
H		205	224	252	284	310	339	409	474	551	640	742	794	882	1029
Z		192	192	192	192	192	268	268	268	268	327	327	327	380	380
L1		135	135	135	135	135	240	240	240	240	297	297	297	333	333
Weight(Kg)		5.7	6.6	6.9	8.0	10.0	15.6	24.2	30	42	64	85	94	152	219