

Bimetal Thermometer (Axial connection)

Fig. T320

Stainless Steel Case • Bimetal Thermometer • Threaded Type

Sizes 3" through 6"

SPECIFICATION

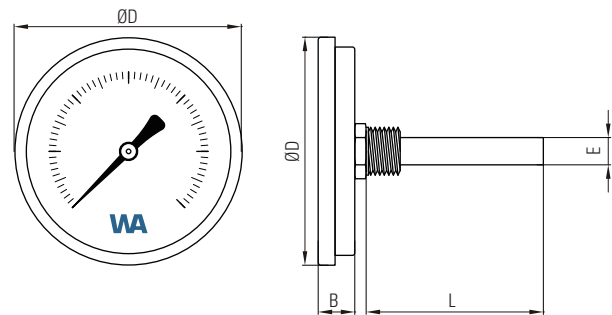
Thread comply with ISO228/1
Testing standards comply with EN 13190

TECHNICAL DATA

Normal size: 80,100,150mm
Pocket length: 63,100,150,225,305,380,460,610mm
Connection: BSP 1/2"
Range: -20~+60°C, -40~+50°C, -40~+70°C, -20~+90°C,
20~+120°C, 10~+150°C, 10~+200°C
Temperature sensor: Bimetal coil
Accuracy: 1.6

Options:

- CI 1.0
- Glycerol filling
- Silicon oil filling
- 316 Stainless Steel bulb and pocket



DIMENSIONS

DN		ØD	B	E	L
mm	inch				
80	3"	80	14.5	12	63-610
100	4"	108	16.5	12	63-610
150	6"	160	18	12	63-610

MATERIAL LIST

Part Name	Materials	Specification
Casing	Stainless Steel	Polished SS304
Bezel ring	Stainless Steel	Polished SS304
Window	Instrument Glass	-
Bulb	Stainless Steel	SS304
Pocket	Stainless Steel	SS304

Visit our website for the most current information.