

Double Fanges Type Butterfly Valve

Fig. 2324

Ductile Iron Body • Extended Neck • Geometric Drive • Molded-In Seat Liner
 • Double Fanges Type

Sizes 2" through 56"

SPECIFICATION

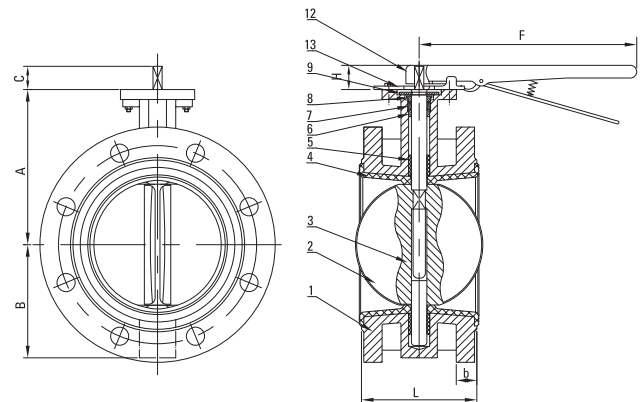
Design in accordance with EN593,ISO5211
 Flanges comply with EN1092-2,ISO 7005
 Pressure test according to standards EN12266

TECHNICAL DATA

Working Pressure: 16bar (For other specifications, please consult)
 Dimensions: DN50~DN1400 (For other specifications, please consult)
 Test Pressure: Shell :24bar / Seal :17.6bar
 Working Temperature: -20°C~120°C EPDM Seat
 -10°C~80°C NBR Seat

MATERIAL LIST

Part	Materials	Specification
Body	Ductile Iron	EN-JS 1050
Stem	Stainless Steel	BS970 410 S 21
	Stainless Steel	BS970 431 S 29
Seat	EPDM/NBR	
	Viton/PTFE	
Bushing	PTFE	
	Bronze	EN 1982 CC491K
O-Ring	EPDM / NBR	
Disc	Ductile Iron	EN-JS 1050
	Bronze	EN 1982 CC491K
	Stainless Steel	BS970 304 S15
	Stainless Steel	BS970 316 S16
Drive unit	Aluminium Malleable Iron, Cast Iron	
Disc Coating	Epoxy / Nylon / hala	
	Nickel Plating	



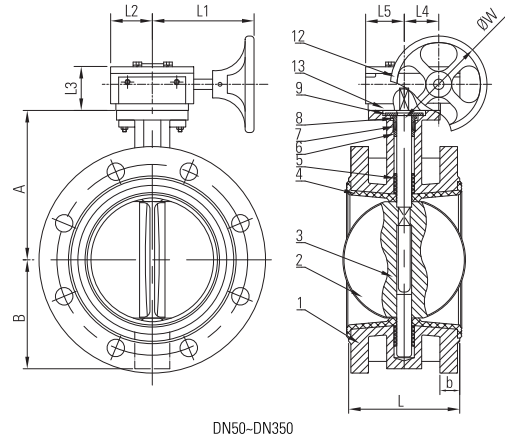
DIMENSIONS

DN	mm	50	65	80	100	125	150	200	250	300
	inch	2	2-1/2	3	4	5	6	8	10	12
A		139	146	150	177	177	198	230	266	300
B		80	89	95	114	125	139	170	198	224
L		108	112	114	127	140	140	152	165	178
F		260	260	260	260	260	260	355	355	505
H		28	28	28	28	28	28	38	38	40

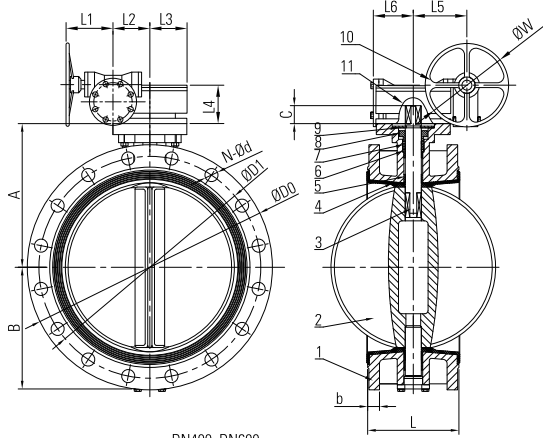
Visit our website for the most current information.

Double Flanges Type Butterfly Valve (continued)

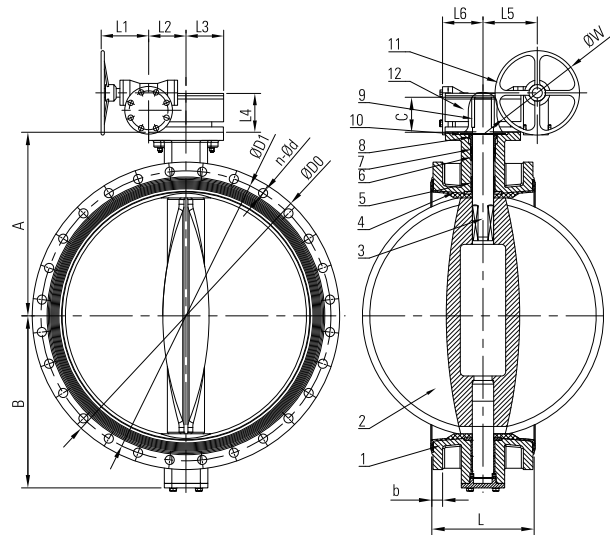
Fig. 2324



DN50-DN350



DN400-DN600



DN700-DN1400

DN	mm	50	65	80	100	125	150	200	250	300	350
	inch	2	2-1/2	3	4	5	6	8	10	12	14
A		139	146	150	177	177	198	230	266	300	310
B		80	89	95	114	125	139	170	198	224	254
L		108	112	114	127	140	140	152	165	178	190
L1		152	152	152	152	152	152	250	250	227	227
L2		52	52	52	52	52	52	75	75	81	81
L3		75	75	75	75	75	75	86	86	83	83
L4		45	45	45	45	45	45	63	63	81	81
L5		52	52	52	52	52	52	75	75	81	81
ØW		145	145	145	145	145	180	278	278	278	278

DN	mm	400	450	500	600	700	750	800	900	1000	1200	1400
	inch	16	18	20	24	28	30	32	36	40	48	56
A		340	375	430	500	560	610	620	685	735	917	1005
B		282	315	348	410	500	510	550	625	690	800	980
L		216	222	229	267	292	308	318	330	410	470	530
L1		160	160	160	176	215	215	215	215	215	240	240
L2		94	94	94	125	140	140	140	163	163	236	236
L3		104	104	104	131	146	146	146	170	170	180	180
L4		110	110	110	128	157	157	157	170	170	209	209
L5		181	181	181	200	228	228	228	243	243	302	302
L6		104	104	104	131	146	146	146	170	170	250	250
ØW		290	290	290	385	385	385	385	385	385	450	450

Visit our website for the most current information.