

# Electronic Butterfly Valve

**Fig. 2338+EQT\*\***

Ductile Iron Body • Extended Neck • Drive • Seat Liner  
• Wafer Type

**Sizes 2" through 12"**

## SPECIFICATION

Design in accordance with EN593, ISO 5752, BS 5155  
Flanges comply with EN1092-2, ISO 7005, ANSI B16.5  
Mounting flanges comply with ISO5211  
Pressure test according to standards EN12266

## TECHNICAL DATA

Working Pressure: 16bar  
(For other specifications, please consult)  
Dimensions: DN50~DN600  
(For other specifications, please consult)  
Test Pressure: Shell: 24bar Seal: 17.6bar  
Working Pressure Differential: 7bar  
Working Temperature: 20°C~120°C EPDM Seat  
-10°C~80°C NBR Seat

## ELECTRICAL PARAMETER

Applicable Voltage: AC 220V / AC 380V / AC 24V  
Input Signal: Modulating Type / 3P floating control / On/Off Type  
Modulating Signal: 0(2)~10V / 4~20mA  
Torque Range: 35 N·m ~ 8000 N·m  
Protection Ingress: IP67 / IP68  
Ambient Temperature: -25°C~70°C  
Altitude: ≤1000m°C  
Environmental Humidity: Relative humidity : ≤90% (25 °C)  
Working environment: the environment does not contain strong  
corrosive media, shall not be used in an explosive mixture of gases  
shall not be used in the environment.  
Working Duty: S2-15min, no more than 600 starts per hour.

## PRODUCT FEATURES

- Valve fully sealed in Bi-directional-EN 12266 (Class A) air-tight class;
- Valve plate finishing spherical sealing surface, low torque, long service life;
- Four flange positioning holes to ensure the correct position of the valve during installation.
- Three self-lubricating bushings on the stem to prevent stem deflection;
- Low operating torque of the valve, effectively reducing the selection cost of the actuator.
- Maintenance free.



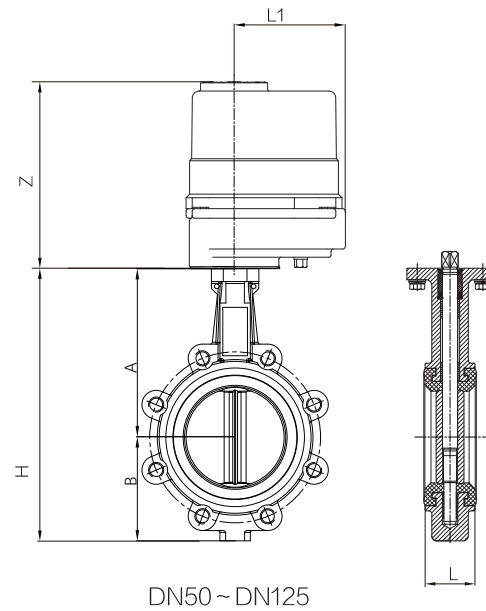
Visit our website for the most current information.

# Electronic Butterfly Valve (continued)

Fig. 2338+EQT\*\*

## MATERIAL LIST

Part Name	Materials	Specification
Body	Ductile Iron	EN-JS 1050
Stem	Stainless Steel	BS970 410 S 21
	Stainless Steel	BS970 431 S 29
Seat	EPDM/NBR	
	Viton/PTFE	
Bushing	PTFE	
	Bronze	EN 1982 CC491K
O-Ring	EPDM / NBR	
Disc	Ductile Iron	EN-JS 1050
	Bronze	EN 1982 CC491K
	Stainless Steel	BS970 304 S15
	Stainless Steel	BS970 316 S16
Disc Coating	Nylon/Hala	-
Drive Unit	Quarter Turn Electric Actuator	



## DIMENSIONS

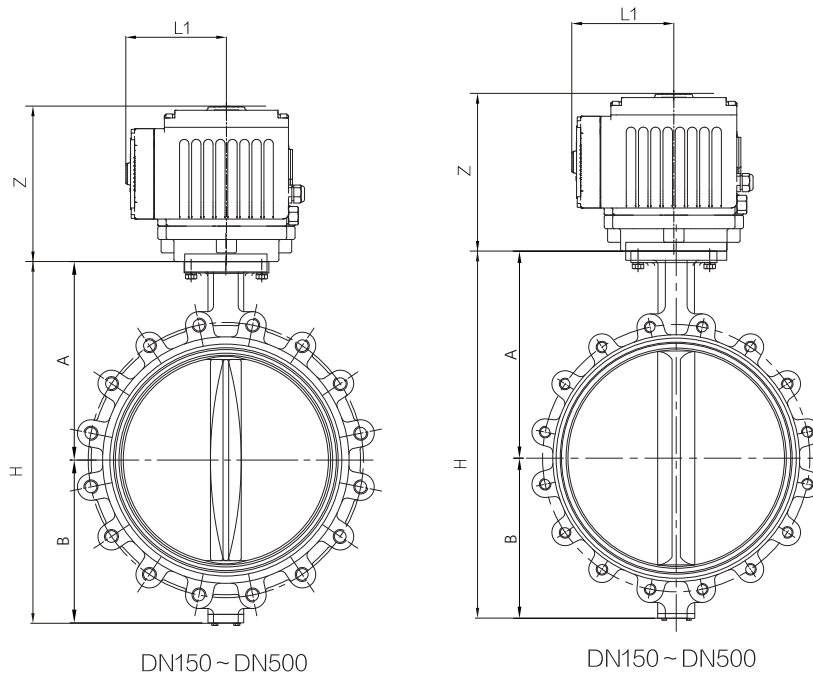
DN	mm	50	65	80	100	125	150	200
	inch	2	2-1/2	3	4	5	6	8
Adaptive Actuator ( P7)		EQT01	EQT01	EQT01	EQT01	EQT01	EQT02	EQT03
A		140	150	158	176	190	211	235
B		80	89	95	114	127	139	175
L		43	46	46	52	56	56	60
Z		192	192	192	192	192	268	268
L1		135	135	135	135	135	240	240
Mounting Flanges		F07/□11	F07/□11	F07/□11	F07/□11	F07/□11	F07/□14	F07/□17
Weights(Kg)		4.7	5.6	5.9	7	9	18	23

Visit our website for the most current information.

# Electronic Butterfly Valve (continued)

Fig. 2338+EQT\*\*

## PRODUCT DRAWING



DN	mm	250	300	350	400	450	500	600
	inch	10	12	14	16	18	20	24
Adaptive Actuator (P7)		EQT05	EQT06	EQT08	EQT06	EQT09	EQT11	EQT12
A		265	305	368	400	422	480	562
B		203	242	267	325	343	380	459
L		68	78	78	102	114	127	154
Z		327	327	327	327	380	380	380
L1		297	297	297	297	333	333	333
Mounting Flanges		F10/□19	F10/□22	F10/□22	F12/□27	F12/□27	F12/□36	F14/□36
Weights(Kg)		29	41	68	89	98	126	218

Visit our website for the most current information.